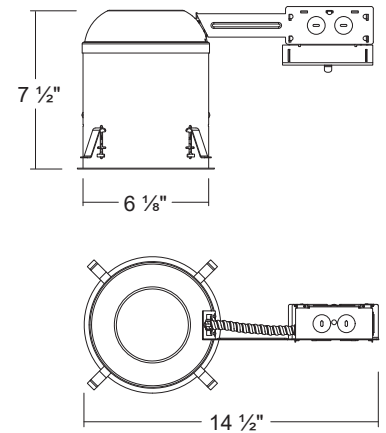


H600ICRA

6" IC Air-Tight Incandescent Remodel Housing (Max. 75W)



Dimensions



ORDERING INFORMATION

Model No.	Description
H600ICRA	6" IC Air-Tight Incandescent Remodel Housing (Max. 75W)

SPECIFICATION

Junction Box

- Listed for through branch circuit wiring
- Contains one 1-1/8", six 7/8" knockouts
- New Cable Trap for easy installation of Romex Cable (US Patented / China Patented)

Remodel Clips

- Four remodel clips secure housing and accommodates 1/2" and 5/8" ceiling materials

Thermal Protector

- Self resetting thermal protector deactivates fixture if overheating occurs due to improper lamping or misapplied insulation.

Listings

- cULus Listed for Damp Location
- cULus Listed for Feed Through
- Certified under ASTM-E283 for Air tight construction

COMPATIBLE TRIMS

T605 Eyeball



- **Incandescent**
75W R / Par30

T601 Open Trim



- **Incandescent**
75W R / Par30

T691 Open Baffle Trim



- **Incandescent**
75W R / Par30

T630 Smooth



- **Incandescent**
75W R / Par30

T652 Wall Wash



- **Incandescent**
40W A19

T603 Stepped Baffle



- **Incandescent**
75W R / Par30

T613W White Cone Baffle
White Ring / AT



- **Incandescent**
90W R / Par30

T684 Regressed Eyeball
Baffle



- **Incandescent**
75W Par30

T692 Open Gimbal



- **Incandescent**
75W Par30

T645 Wall Wash Baffle



- **Incandescent**
75W BR / Par30

